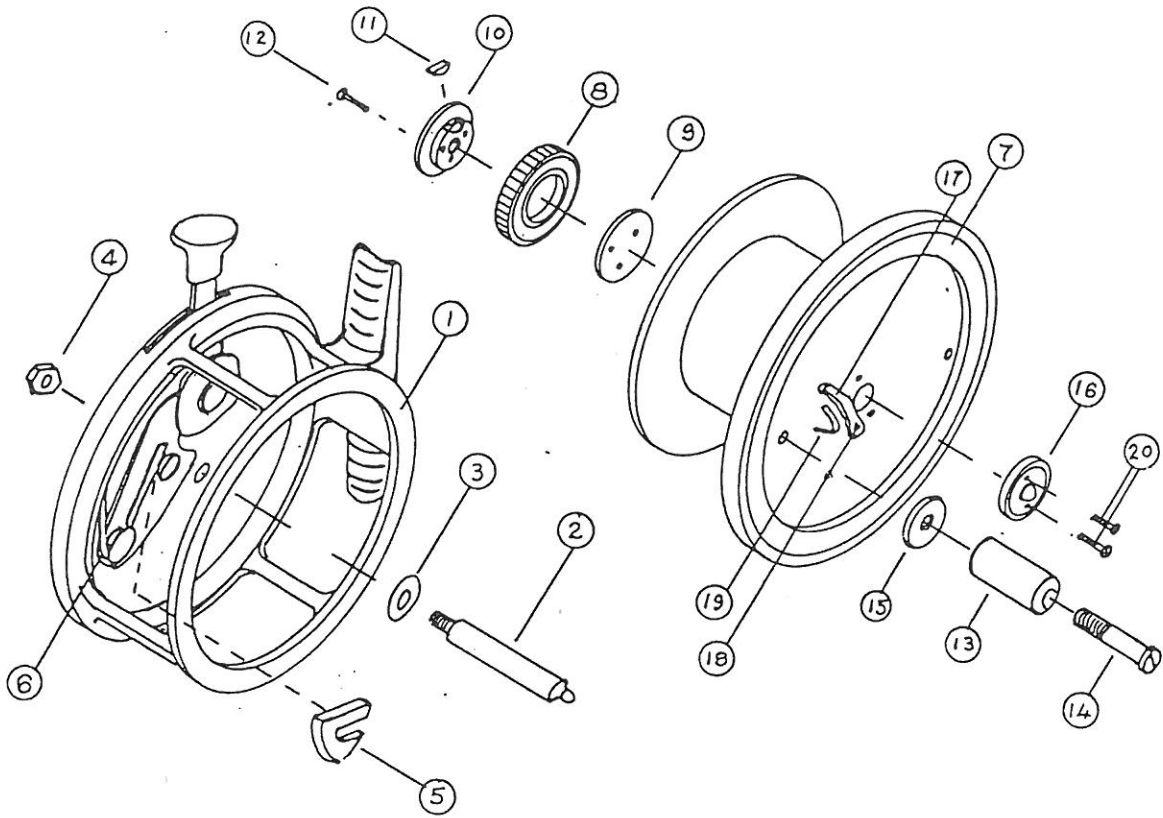


SILEX REELS



Item	Part	Description	Part No.	Usage	Order No.
1.	Frame			1	34AP
2.	Spindle			1	306P
3.	Spindle Washer			1	323P
4.	Spindle Locknut			1	575P
5.	Tongue			1	362P
6.	Chekc Spring			1	398P
7.	Drum			1	34BP
8.	Freewheel Gear			1	594P
9.	Freewheel Washer			1	249P
10.	Freewheel Centre			1	730P
11.	Freewheel Pawl			1	720P
12.	Freewheel Screw			3	282P
13.	Handle Knob			2	461P
14.	Handle Wire			2	483P
15.	Handle Cup			2	473P
16.	Latch Cover			1	547P
17.	Latch Bar			1	542P
18.	Latch Stud			1	565P
19.	Latch Spring			1	550P
20.	Latch Cover Screw			2	555P
21.					
22.					

PARTS LIST

DESCRIPTION : S ILEX
 22.10.71.

30 11 40

CLASS	NO.	PARTS	BIN	QTY/U.
S/A	1	FRAME	34A	1
P	2	BACK SCREWS	274	2
P	3	SPINDLE	306	1
P	4	SPINDLE WASHER	323	1
P	5	SPINDLE LOCKNUT	575	1
P	6	ACTION PLATE	3607	1
B/I	7	TONGUE	362	1
P	8	TONGUE STUD	3609	1
P	9	CHECK SPRING	398	1
P	10	PIVOT STUD	3608	1
S/A	11	TRIGGER	660	1
P	12	TRIGGER PIVOT STUD	210	1
S/A	13	DRUM	34B	1
P	14	FREEWHEEL	594	1
P	15	FREEWHEEL WASHER	249	1
P	16	FREEWHEEL CENTRE	730	1
P	17	FREEWHEEL PAWL	720	1
B/I	18	FREEWHEEL SCREW	282	3
P	19	HANDLE KNOB	461	2
P	20	HANDLE WIRE	483	2
P	21	HANDLE CUP	473	2
P	22	LATCH COVER	547	1
P	23	LATCH BAR	542	1
B/I	24	LATCH STUD	565	1
P	25	LATCH SPRING	550	1
B/I	26	LATCH COVER SCREW	555	2
P	27	PB THRUST	721	1
P	28	SILEX TRIGGER PLATE	659	1
B/I	29	ID 73 CASE	3960A	1
B/I	30	ID 73 CARTON	3957	1
BI	31	LABEL	3653	1
P	32	BRASS BACK	374	1
	33			
	34			
	35			
	36			

26th July 1979.